

Booster Pump

KMB Series

Can be used in combination with the dry pumps to enhance pumping capacity.
Rotational speed control enables operation from atmospheric pressure.



- High efficiency motor and driving system realized significant downsize compare to conventional models.
- Canned motor is adapted to improve reliability.
- Improvements of the driving system and mechanical efficiency allow minimizing the power.
- Rotation speed control achieves continuous operation under the atmospheric pressure.
- Synchronous motor enables consistent pumping performance at any power supply frequency. (03 series)

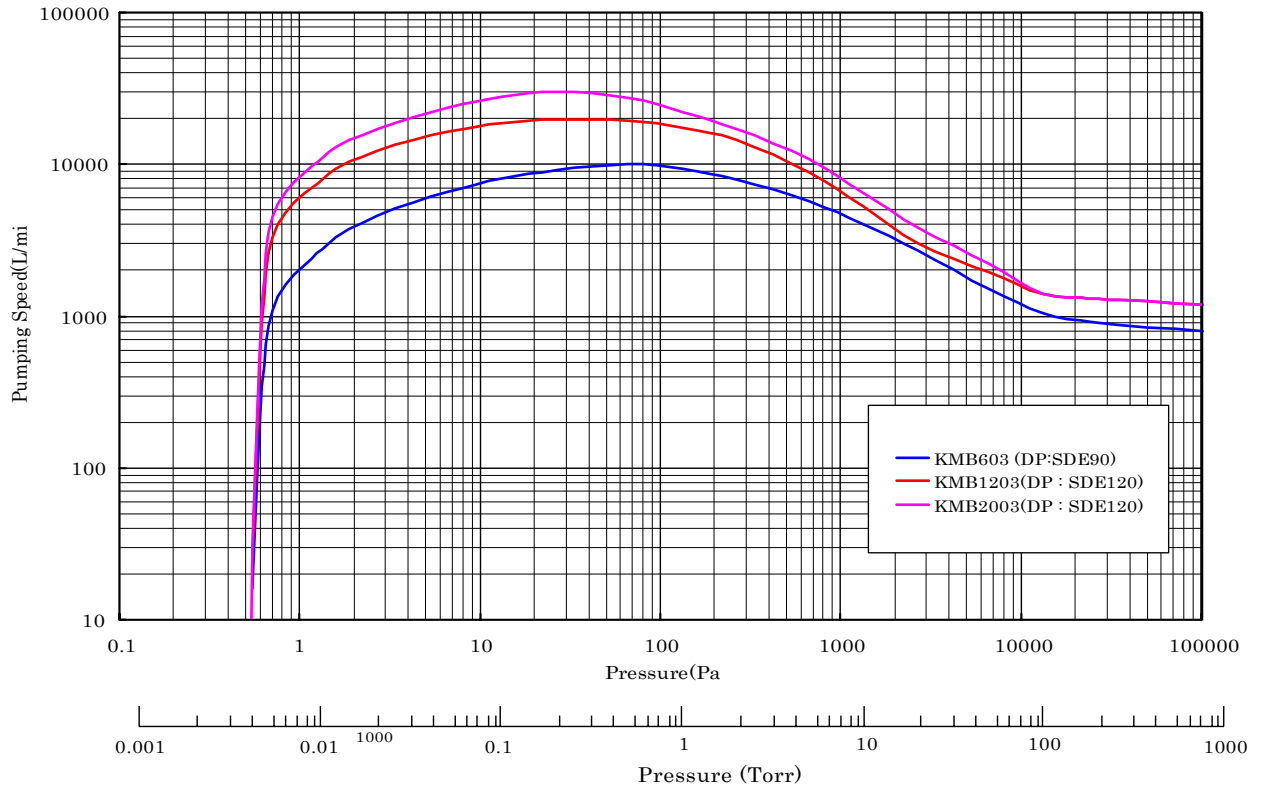
Specification Table

Specification	Model	KMB603	KMB1203	KMB2003
Maximum Pumping Speed (L/min)*		10,000	20,000	30,000
Ultimate Pressure (Pa)*		0.5		
Maximum Inlet Pressure (Pa)		Atmospheric pressure		
Inlet Flange		VG80	VG100	VG150
Outlet Flange		VF65	VF100	VF150
Weight(Approx.) (kg)		85	110	230
Electric Power Supply		3 phase AC200-220V 50/60Hz		
Power in normal operation (kW)**		0.3	0.4	0.8
Electric Power Capacity (kVA)		4.0	6.5	11.1
Cooling Water Supply		3L/min and over		
Purge N2 Gas Supply		0 or 20SCCM		

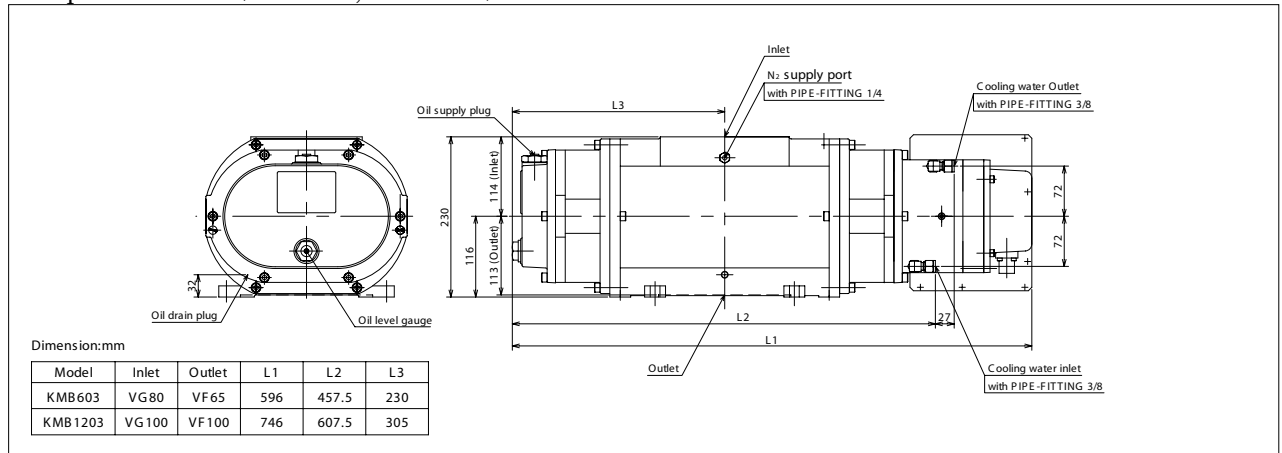
*The values shown here represent operation in combination with the dry pump as recommended by Kashiya.

**Power at ultimate pressure.

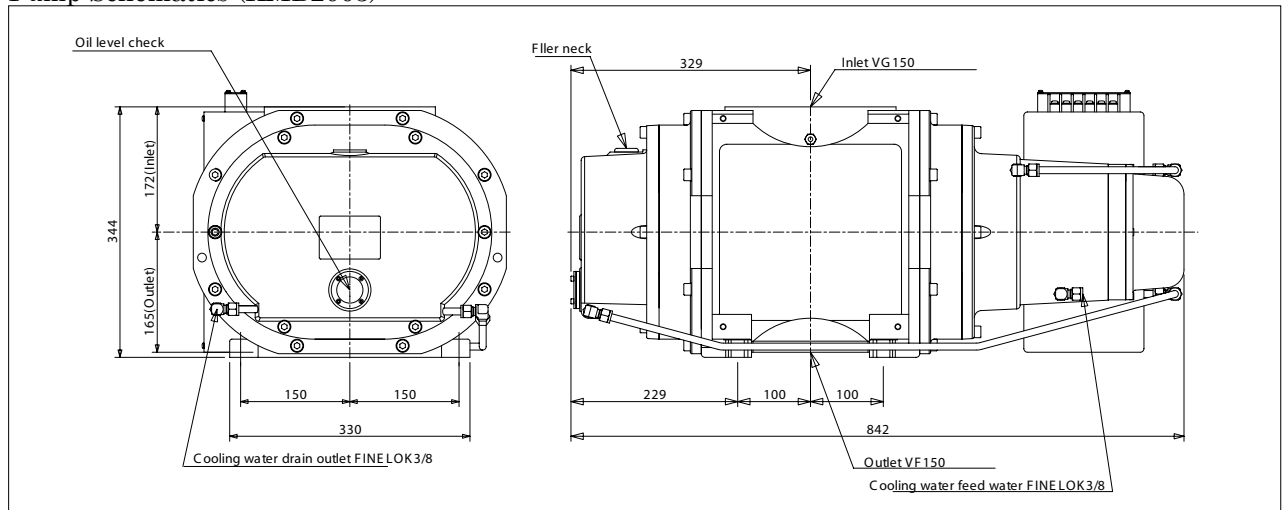
Pumping Curve(SP)



Pump Schematics (KMB603,KMB1203)



Pump Schematics (KMB2003)



Note 1) Because we are constantly working to improve performance and upgrade our products, specifications and diagrammatic representations in this catalog may change without notice.
 Note 2) Products displayed in this catalog must be approved for export in accordance with the Foreign Exchange and Foreign Trade Control Act. Before placing an export order, please contact our Business Department.

- Dry vacuum Pump
- Mechanical Booster Pump
- Air Discharge System

KASHIYAMA
 URL: www.kashiyama.com/jp/
 mail address for inquiries:
sales@kashiyama.co.jp

BOOSTER PUMP KMB SERIES